



***Series 4 Pilot Valves***  
*for Integral Pilot (CA) Applications*

***Innovative Environmental Solutions***

**tyco** | Flow Control | **Environmental Systems**

## RCA3DM Pilot Valve



### Description

The RCA3DM is a pilot valve with an integral silencer and dust shroud which mounts directly (screw in) to the 4 series valve cover.

### Construction

Encapsulation: PA-6

C-Frame: Mild steel zinc nickel plated

Bobbin: PA-6

IP Rating: IP64

Insulation class: B/130°C

Rating: Non-continuous use only

Clip: Mild steel (mechanically plated)

### Operation

Recommended on time range: 50-500ms

Recommended time between pulses: 1 minute or greater

### Certification and Conformities

- C-Tick
- EMC (89/336/CE)
- LV
- CSA

### Spare Parts:

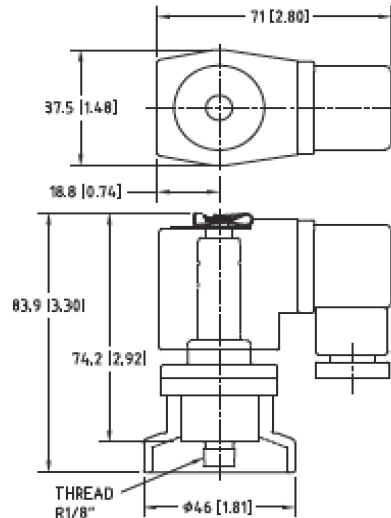
K0380 – Kit includes Nitrile replacement seal, armature, spring and ferrule.

K0384 – Kit includes Viton replacement seal, armature, spring and ferrule.

Please refer to page 3 of the Pilot Valves and Nema 4 Enclosures brochure for replacement coil options.

### Dimensions

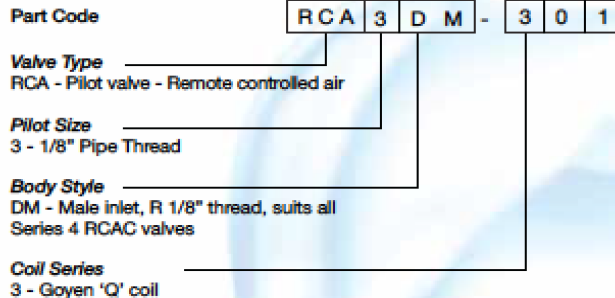
(Dimensions in mm and [inches])



### Product Performance

Flow	Maximum Working Pressure	Minimum Working Pressure	Temperature Min	Temperature Max	Fluid Media
0.32 Cv	860 kPa	0 kPa	-40°C	82°C	Air or inert gas
0.27 Kv	125 psi	0 psi	-40°F	180°F	

### How to Order



### Order Code and Electrical Characteristics

Model	Connection Type	Protection Class	Voltage	Power
300	DIN 43650A	IP64	200/240V 50/60Hz	23.1 VA
301	DIN 43650A	IP64	100/120V 50/60Hz	19.8 VA
302	DIN 43650A	IP64	24V 50/60 Hz	23.1 VA
303	DIN 43650A	IP64	110VDC	24 W
304	DIN 43650A	IP64	48VDC	20 W
305	DIN 43650A	IP64	24VDC	20 W
306	DIN 43650A	IP64	12VDC	20 W
310	Conduit (M20x1.5)	IP31	200/240V 50/60Hz	23.1 VA
311	Conduit (M20x1.5)	IP31	100/120V 50/60Hz	19.8 VA
312	Conduit (M20x1.5)	IP31	24V 50/60 Hz	23.1 VA
313	Conduit (M20x1.5)	IP31	24VDC	20 W
314	Conduit (M20x1.5)	IP31	12VDC	20 W
320	Conduit (1/2" NPSC)	IP31	200/240V 50/60Hz	23.1 VA
321	Conduit (1/2" NPSC)	IP31	100/120V 50/60Hz	19.8 VA
322	Conduit (1/2" NPSC)	IP31	24V 50/60 Hz	23.1 VA
323	Conduit (1/2" NPSC)	IP31	24VDC	20 W
324	Conduit (1/2" NPSC)	IP31	12VDC	20 W

For Remote Pilot (RCA) Applications, Please refer to the Pilot Valves and Nema 4 Enclosures brochure.

## RCA3PV Pilot Valve



### Description

The RCA3PV pilot is another option for integral pilot (CA) applications. The RCA3PV pilot is a screw in pilot available in 1/8" (RCA3PV) and 1/4" (RCA3PV2) port sizing.

### Construction

Encapsulation: PA-6

C-Frame: Mild steel zinc nickel plated

Bobbin: PA-6

Insulation class: F/155°C

IP Rating: IP65

Rating: Non-continuous use only

Clip: Mild steel (mechanically plated)

### Operation

Recommended on time range: 50-500ms

Recommended time between pulses: 1 minute or greater

### Certification and Conformities

- EMC (89/336/CE)
- LV

### Spare Parts:

No pilot valve overhaul kits are available for the RCA3PV pilot. However, coil kits are available as listed below:

K0203 - Dual rating: 110v DC 18W or 220/240v 50/60Hz. Kit includes coil, stabilus clip and washer.

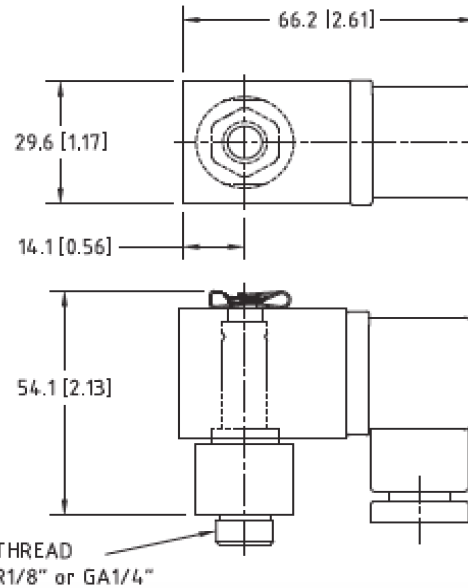
K0204 - Dual rating: 48VDC 18W or 115v 50/60Hz. Kit includes coil, stabilus clip and washer.

K0205 - Dual rating: 24v DC 18W or 48v 50/60Hz. Kit includes coil, stabilus clip and washer.

K0206 - Dual rating: 12v DC 18W or 24v 50/60Hz. Kit includes coil, stabilus clip and washer.

### Dimensions

(Dimensions in mm and [inches])



RCA3PV - 1/8", RCA3PV2 - 1/4"

### Product Performance

Flow	Maximum Working Pressure	Minimum Working Pressure	Temperature Min	Temperature Max	Fluid Media
0.28 Cv	860 kPa	0 kPa	-40°C	82°C	Air or
0.24 Kv	125 psi	0 psi	-40°F	180°F	inert gas

### How to Order

<b>Part Number Code</b>	<b>RCA3PV2 - 205</b>
<b>Valve Type</b>	RCA - Pilot valve - Remote controlled air
<b>Pilot Size</b>	3 - 1/8" Pipe Thread
<b>Body Style</b>	PV - Male inlet, suits all RCA & RCAC main valves
<b>Thread Type</b>	Blank - R1/8" thread 2 - GA1/4" thread
<b>Coil Series</b>	2 - Mecair 'SB3' coil
<b>Coil Connection</b>	0 Square DIN connector
<b>Voltage Options</b>	3 Dual rating: 110v DC 18W or 220/240v 50/60Hz 46/37VA 4 Dual rating: 48v DC 18W or 115v 50/60Hz 63/53VA 5 Dual rating: 24v DC 18W or 48v 50/60Hz 41/32VA 6 Dual rating: 12v DC 18W or 24v 50/60Hz 38/31VA

**For Remote Pilot (RCA) Applications,  
Please refer to the Pilot Valves and Nema 4 Enclosures brochure.**